

Modeling for the Real World

www.gams.com

Support

Sales

Solvers

Documentation

Model Library

Search

Contact Us

High-Level Modeling

The General Algebraic Modeling System (GAMS) is a **high-level modeling system** for mathematical programming problems. GAMS is tailored for complex, large-scale modeling applications, and allows you to build large maintainable models that can be adapted quickly to new situations. Models are **fully portable** from one computer platform to another.

Multiple Model Types

GAMS allows the formulation of models in **many different problem classes**, including

- Linear (LP) and Mixed Integer Linear (MIP)
- Nonlinear (NLP) and Mixed Integer Nonlinear (MINLP)
- Mixed Complementary (MCP)
- Programs with Equilibrium Constraints (MPEC)
- Stochastic Linear Problems
- Constrained Nonlinear Systems (CNS)
- Conic Programming Problems

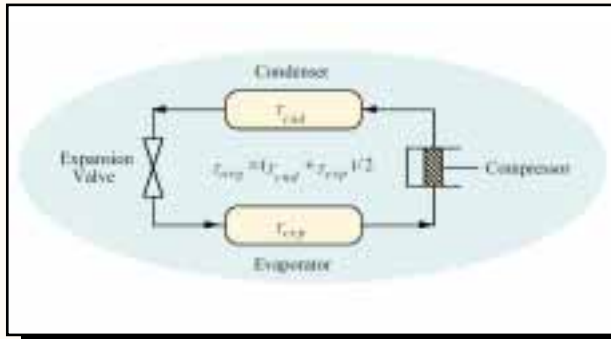


GAMS Integrated Developer Environment for editing, debugging, solving models, and viewing data.

State-of-the-Art Solvers

GAMS incorporates all major commercial and academic **state-of-the-art solution technologies** for a broad range of problem types, including a range of global solvers (nonlinear and mixed integer nonlinear). Our portfolio of global solvers uses diverse approaches, such as

- Convexification and Deterministic Bounds (BARON)
- Lipschitz-Continuous Partition and Search (LGO)
- Multi-Start Using the OptTek Search Technology (OQNLP)



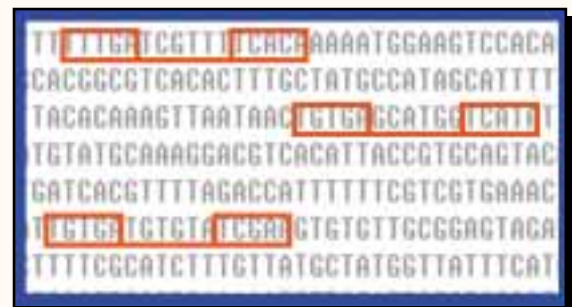
Global optimization used in automotive refrigerant design.

Global Optimization Applications

Many real world applications require global solutions. Such problems may arise in

- Engineering Design
- Molecular Design and Bioinformatics
- Parameter Estimation
- Supply Chain Design and Operation

where global optimality is vital. The GAMS **model library** at <http://www.gams.com/modlib/> includes over 250 sample models of all supported model types, including global optimization applications.



Global optimization in bioinformatics: identification of protein-DNA binding site.

Contact:

GAMS Development Corporation

1217 Potomac Street, N.W.
Washington, D.C. 20007, USA
Tel.: +1-202-342-0180
Fax: +1-202-342-0181
sales@gams.com
<http://www.gams.com>

in Europe:

GAMS

Software GmbH

Eupener Str. 135-137
50933 Cologne, Germany
Tel.: +49-221-949-9170
Fax: +49-221-949-9171
info@gams.de
<http://www.gams.de>